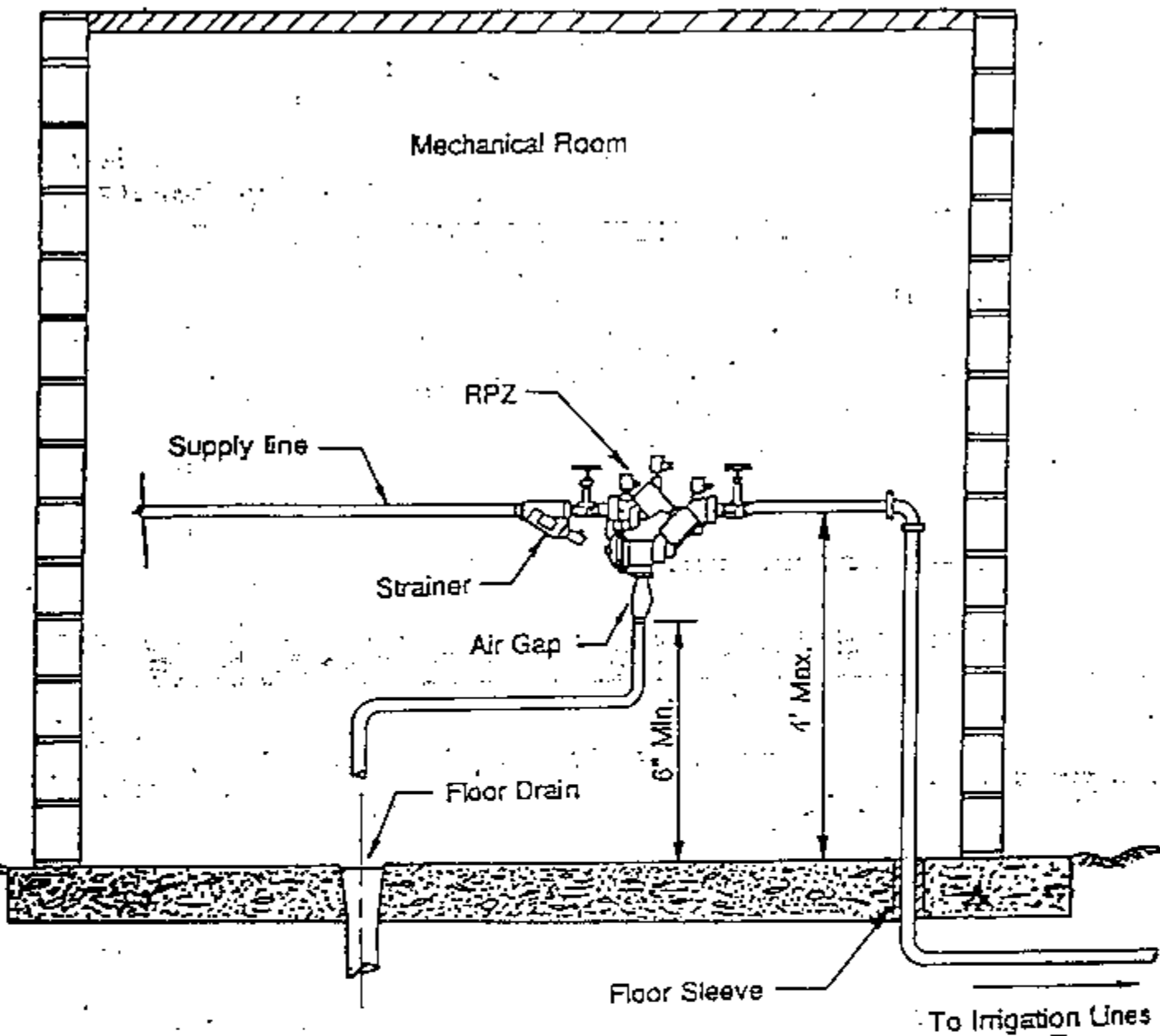


APPENDIX I

Cross-Connection Illustrations



Notes:

1. All piping through concrete to be sleeved.
2. RPZ device shall be readily accessible for inspection and testing.
3. No connection will be permitted on supply line between meter and RPZ device.

REVISIONS	
NO.	DATE

IRRIGATION SYSTEM PROTECTION WITH INTERNAL BACKFLOW DEVICE

Not to Scale

Atmospheric Vacuum Breaker

Film Developing Tank

Shut-Off Valve (before A.V.B.)

Mixing or Tempering Valve
Shower Valve

Hot Water

Cold Water

Flow

6" Min.

Notes:

1: No valve shall be installed between the vacuum breaker and tank

REVISIONS

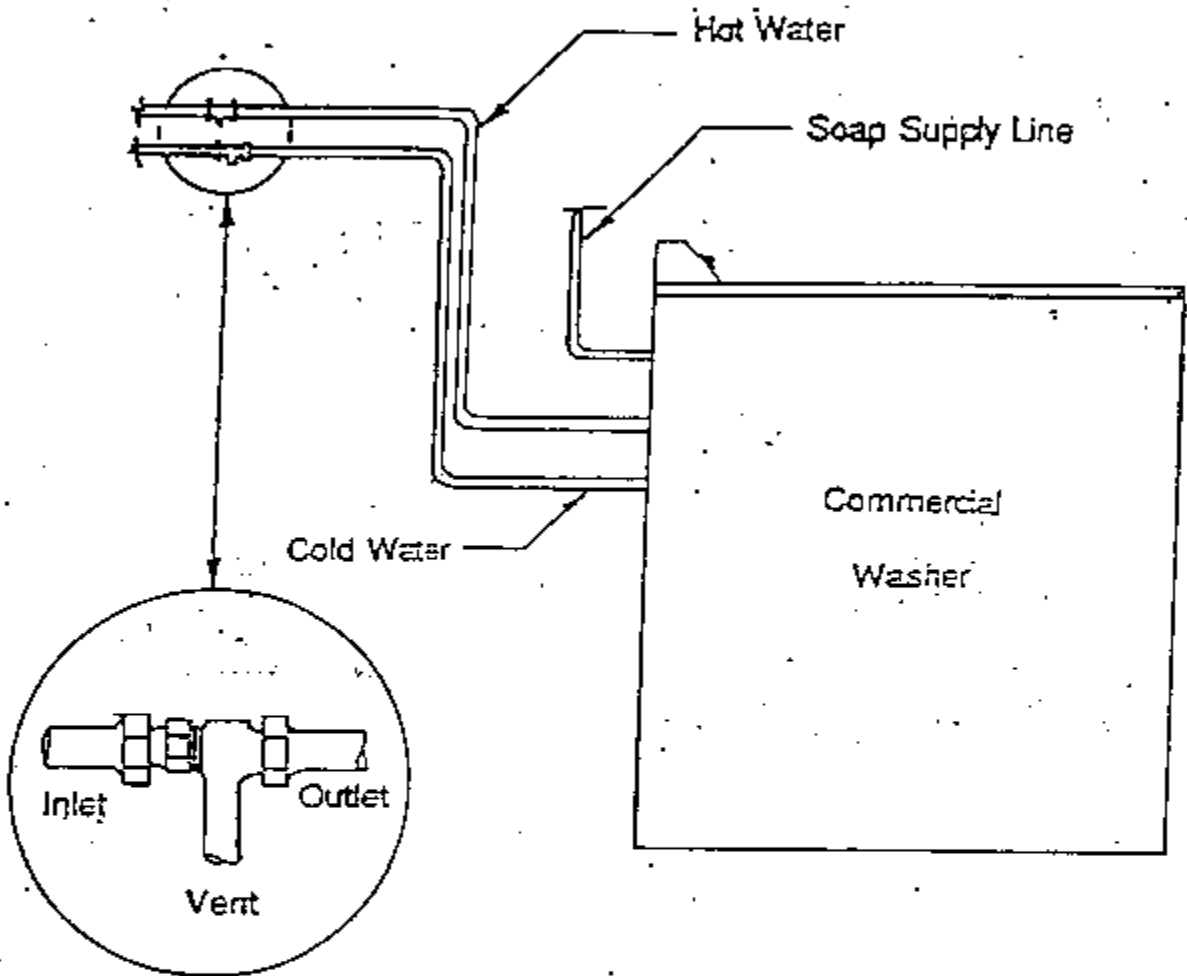
NO. DATE

ATMOSPHERIC VACUUM BREAKER
FILM DEVELOPING TANK

Not to Scale

DATE

3



BACKFLOW PREVENTER/INTERMEDIATE
ATMOSPHERIC VENT

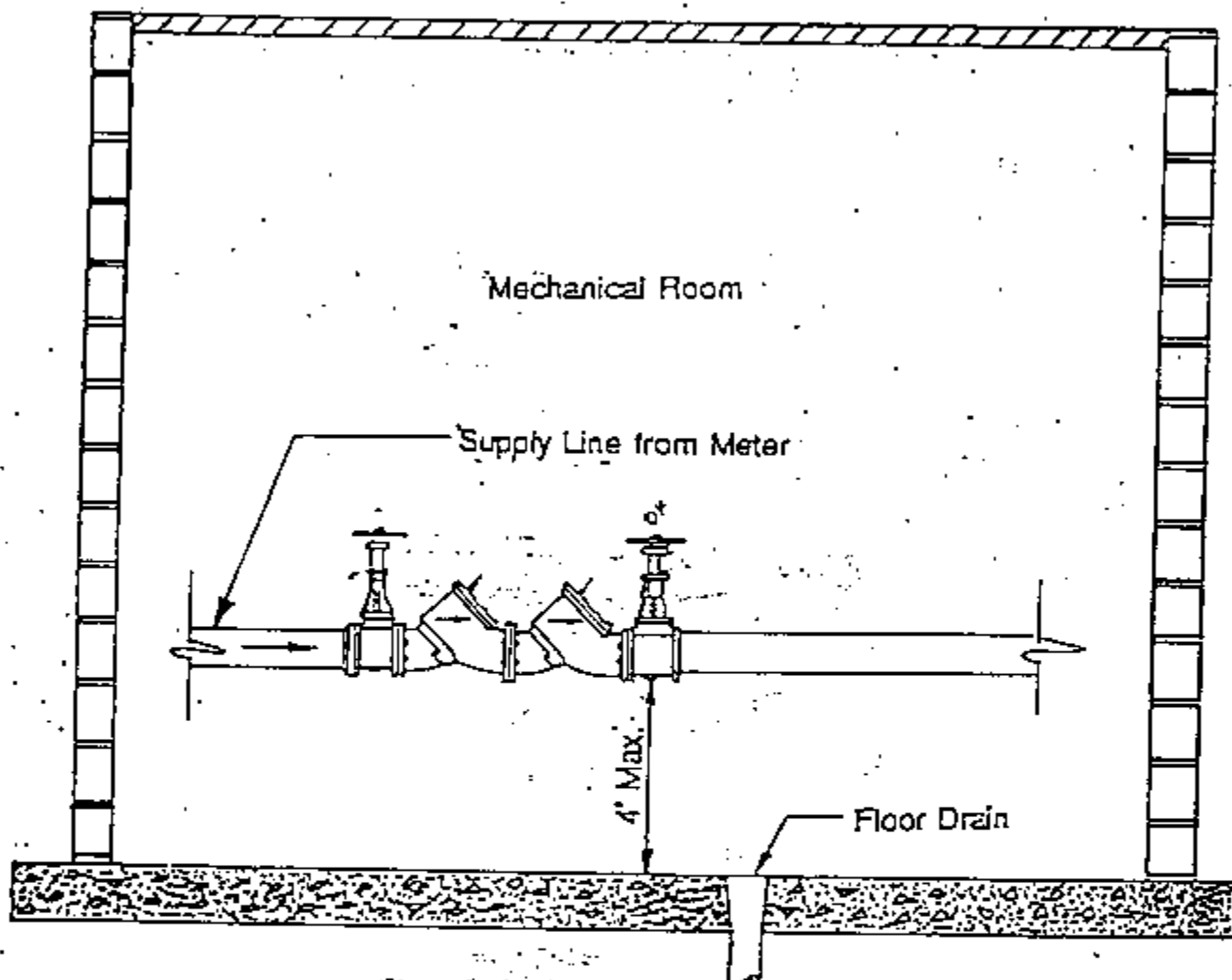
NOTE:

The backflow prevention device shall be readily accessible for inspection and testing.

REVISIONS	
NO.	DATE

RETIRO SISTEM LA VENT
COMMERCIAL WASHER

Not to Scale



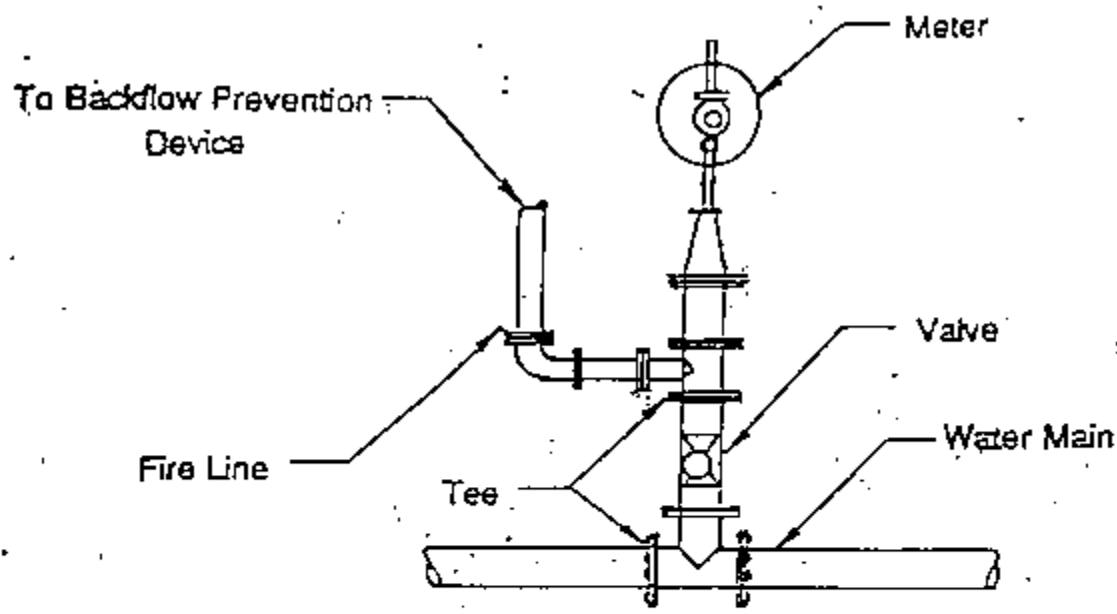
NOTE:

1. All piping through concrete shall be sleeved.
2. The device shall be readily accessible for testing and inspection.
3. No connection will be permitted on supply line between meter and double check valve.

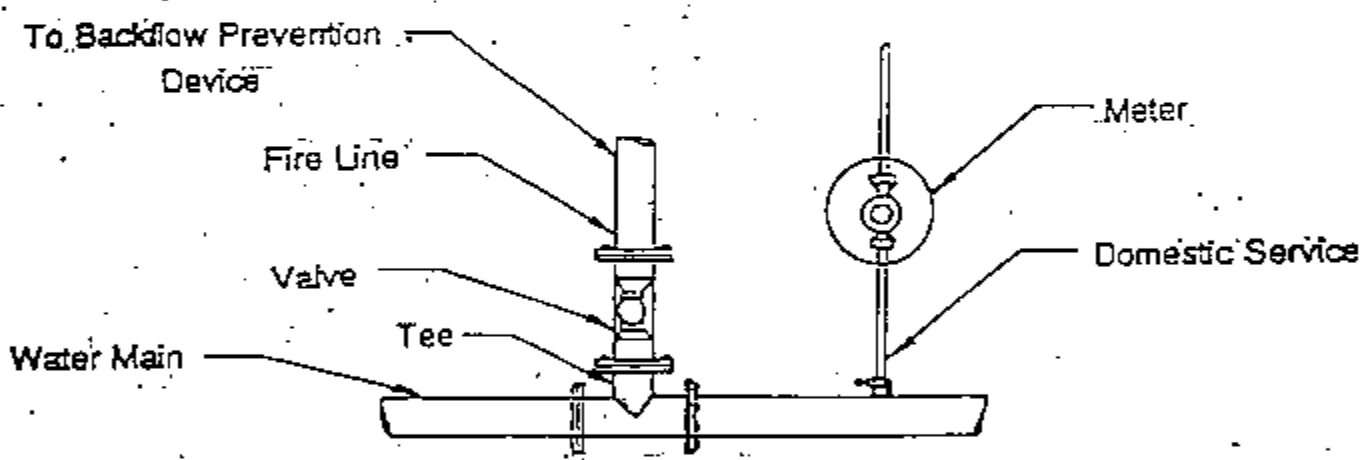
REVISIONS

NO.	DATE

**TYPICAL DOUBLE CHECK VALVE
FOR SERVICE LINE
LARGER THAN 1"**



COMBINED DOMESTIC AND FIRE LINE



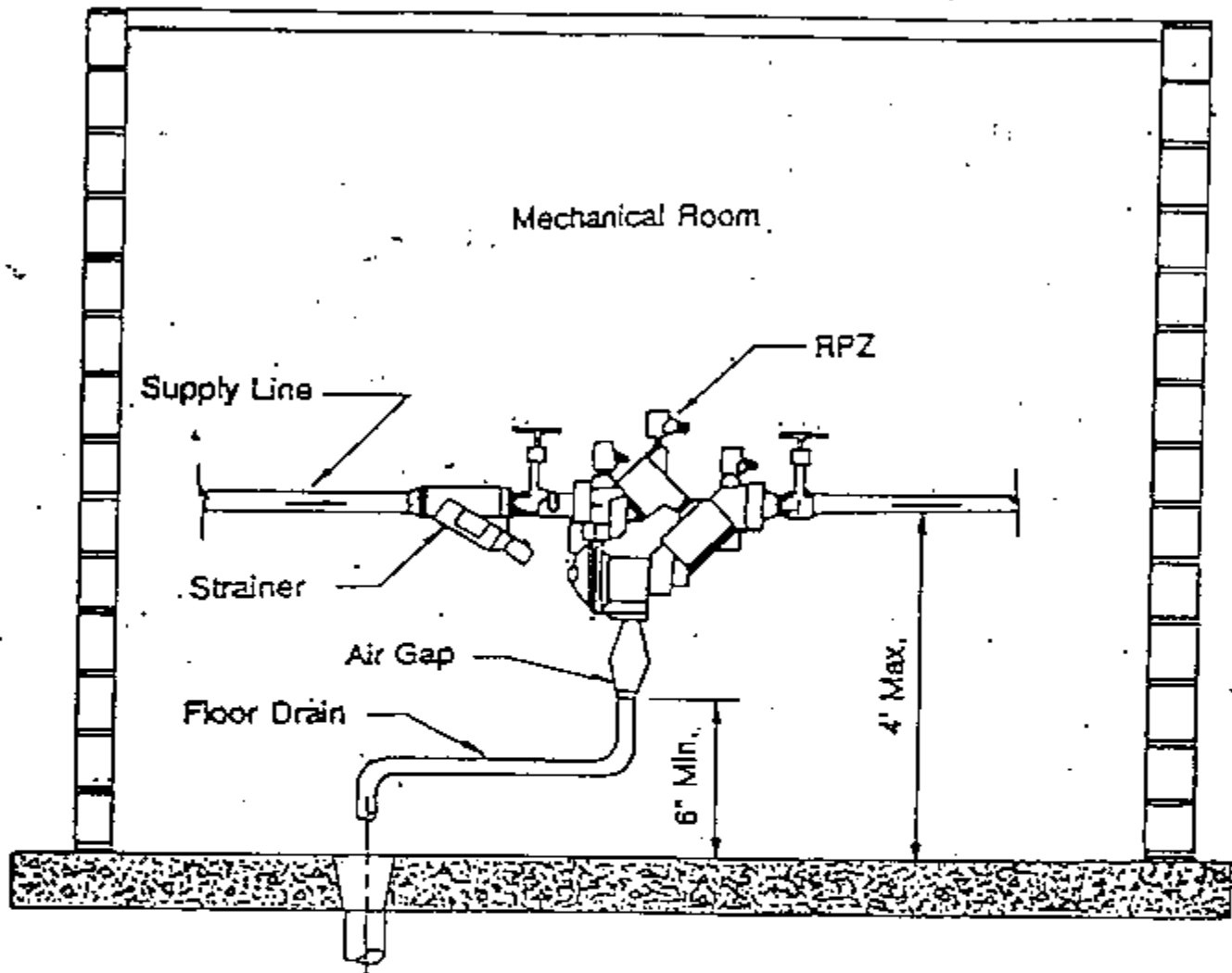
SEPARATE DOMESTIC AND FIRE LINE

NOTE:
See governing body for specific requirements and the required type of fire service.

REVISIONS	
NO.	DATE

COMMERCIAL
FIRE LINE PROTECTION

Not to Scale



Notes:

1. All piping through concrete to be sleeved.
2. RPZ device shall be readily accessible for inspection and testing.
3. No connection will be permitted on supply line between meter and RPZ device.
4. Installation of RPZ device in pit is not permitted.

REVISIONS	
NO.	DATE

**TYPICAL RPZ DEVICE
FOR
SERVICE LINE PROTECTION**